

# SPECIFICATION

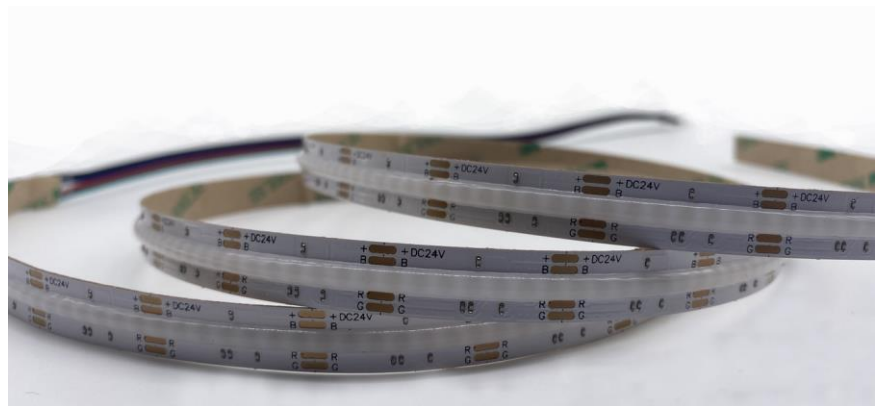
**Part No.: COB RGB/CCT DUAL WHITE LED Strip**



*NEWSTAR LED Lighting*

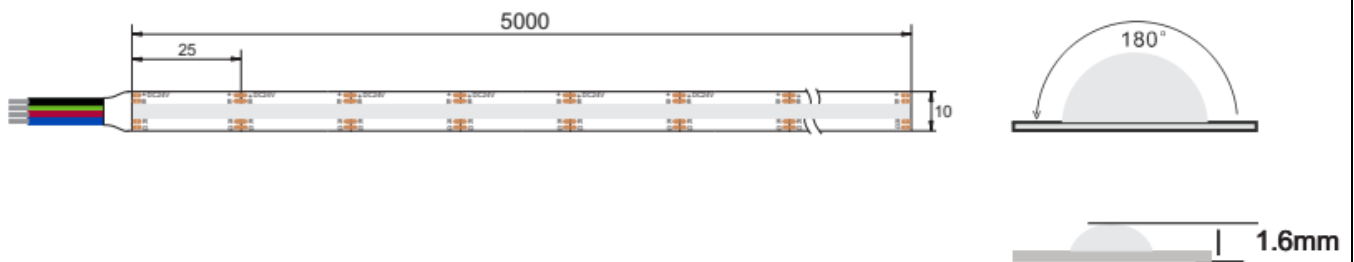
## Features

- High brightness.
- Long lifespan 50,000hours
- Energy-saving product
- Environment-friendly
- Certifications: CE & RoHS
- NO RF interference
- Easy to install and maintain
- Low in heat radiation and power consumption
- Uniform lighting effect without dot



## Dimensions:

### RGB 840leds/m



### CCT Dual White 608leds/m

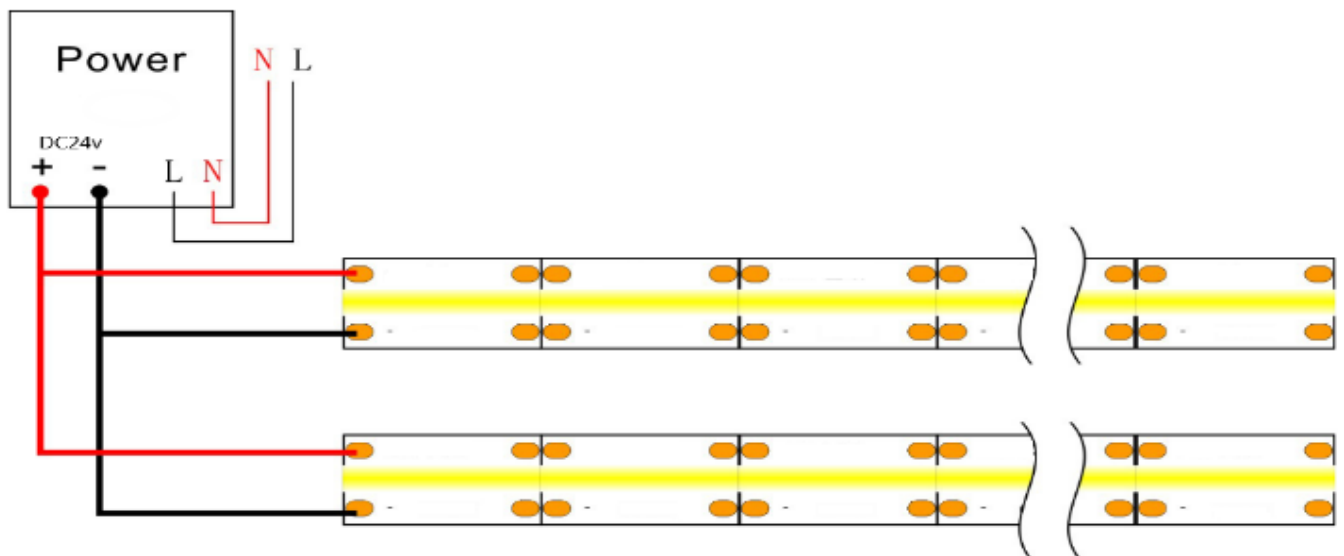


# SPECIFICATION

## Technical Specifications

|                   |                     |                     |
|-------------------|---------------------|---------------------|
| Model             | NSS-COB-840RGB      | NSS-COB-604CCT      |
| Light Source      | 840leds             | 604leds             |
| Power             | 15w/m               | 12+12w/m            |
| Lumen             | 550LM/M             | 1080+1248lm/m       |
| Input Voltage(V)  | DC24V               | DC24V               |
| PCB Color         | White, 10mm         | White, 10mm         |
| Chip              | COB LED             | COB LED             |
| Certification     | CE & RoHS           | CE & RoHS           |
| Working Temp      | -30-60°C            | -30-60°C            |
| CRI (Ra)          | >80Ra               | >80Ra/90Ra          |
| IP Grade          | IP20/IP65/IP67/IP68 | IP20/IP65/IP67/IP68 |
| Color temperature | RGB                 | CCT Dual White      |
| Warranty          | 5 years             | 5 years             |

## Instruction



### 1、 Connection

R/Y/B/G/W single color Non waterproof LED strip series: There are two wires for the product (Wire Pathway 22AWG; Wire Length 150MM), the Red one is connected to the positive section of the power supply while the Black one is for the cathode. If use the controller, the Red one is connected to the positive section of the controller while the Black one is for the cathode.

### 2、 Installation

3M glue on the back of the product. Rive off the protection paper then install the product to anywhere you need to.

# SPECIFICATION

## 3、 Installation Notice

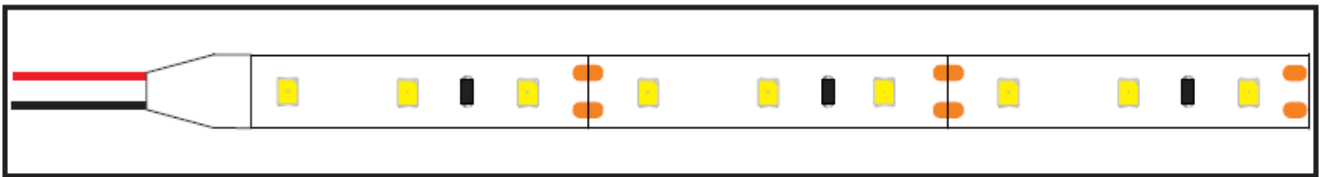
- 1) Make sure the connection is correct according to the diagram.
- 2) Pay attention on the parameters limit on the above form. DO NOT run over the peak value.
- 3) Keep the surface of installation clear and level avoid breaking off.
- 4) Avoid the crook area is the just position of LED and other components, in order to protect the product and extend the lifespan of the product.

## Installation

### IP33 & IP65



Remove release paper

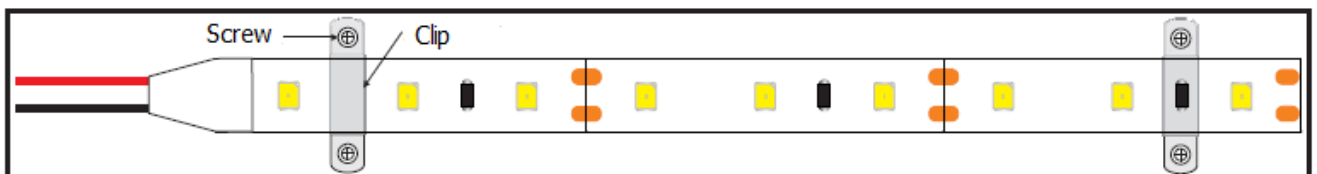


Clean mounting surface , straighten strip and fix it by 3M

### IP67 & IP68



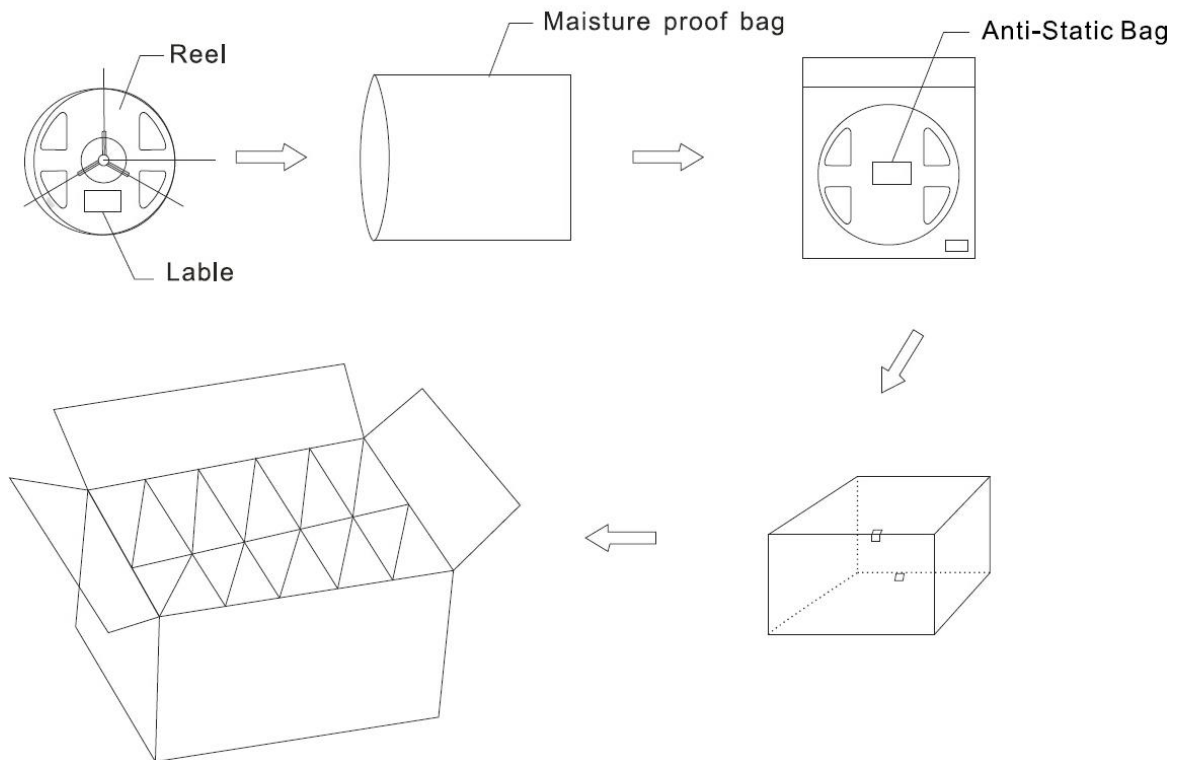
Clean mounting surface



Straighten strip and fix it by clip and screw

# SPECIFICATION

## Package



## Application

- Christmas/ Halloween show lighting
- For boat/barge decorations lighting
- Widely applicable as back lighting, cove lighting, decoration lighting, for home furniture, club, bar, hotel, commercial center
- Channel letter lighting using for stores, restaurants, bars
- Car interior and exterior lights
- Illumination lighting using walkway, canopy, stairway accent lighting, amusement park
- Outdoor illuminated signs and advertisements
- Other light sources